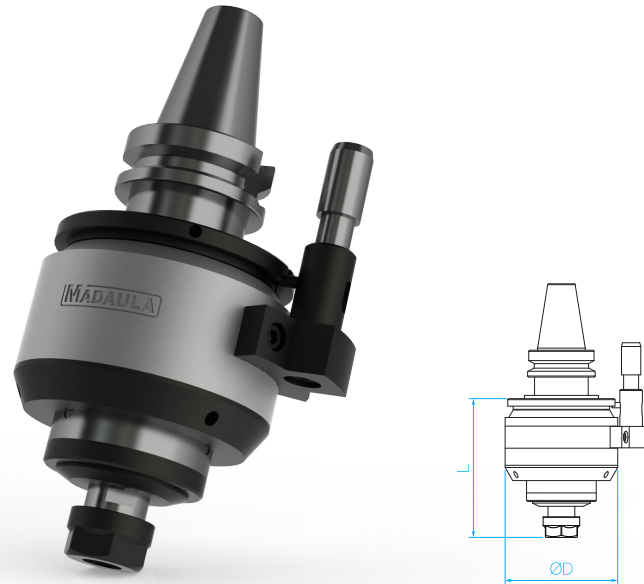
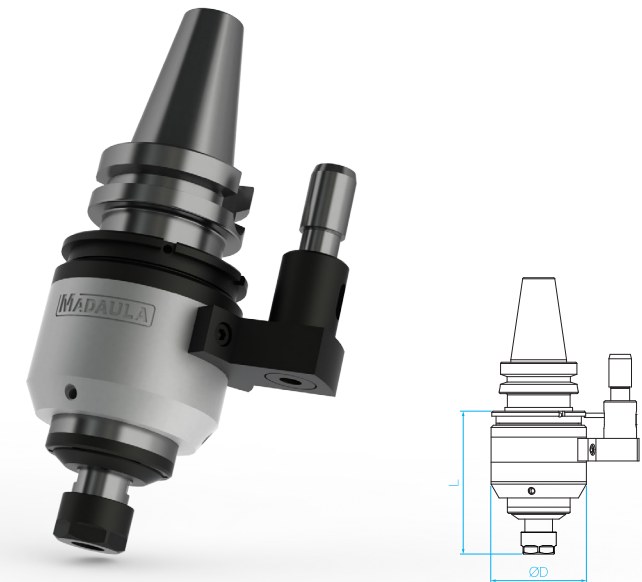






# Spindle Speeders




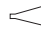
## » MV-7 / MV-7C



## » MV-8 / MV-8C



Main Features	MV-7	MV-7C
<b>Speed Continuous</b> RPM	15.000	20.000
<b>Speed Max.</b> RPM	18.000	25.000
	1:7	1:7
<b>L</b> mm	126	126
<b>ØD</b> mm	105	105
	ER-20	ER-20
	5	5
	40/50	40/50
<b>HSK</b> Size	63/80	63/80

Main Features	MV-8	MV-8C
<b>Speed Continuous</b> RPM	20.000	24.000
<b>Speed Max.</b> RPM	25.000	30.000
	1:5	1:5
<b>L</b> mm	115	115
<b>ØD</b> mm	76	76
	ER-16	ER-16
	2.5	2.5
	30/40/R8	30/40/R8
<b>HSK</b> Size	63	63