

BMT-44 Models

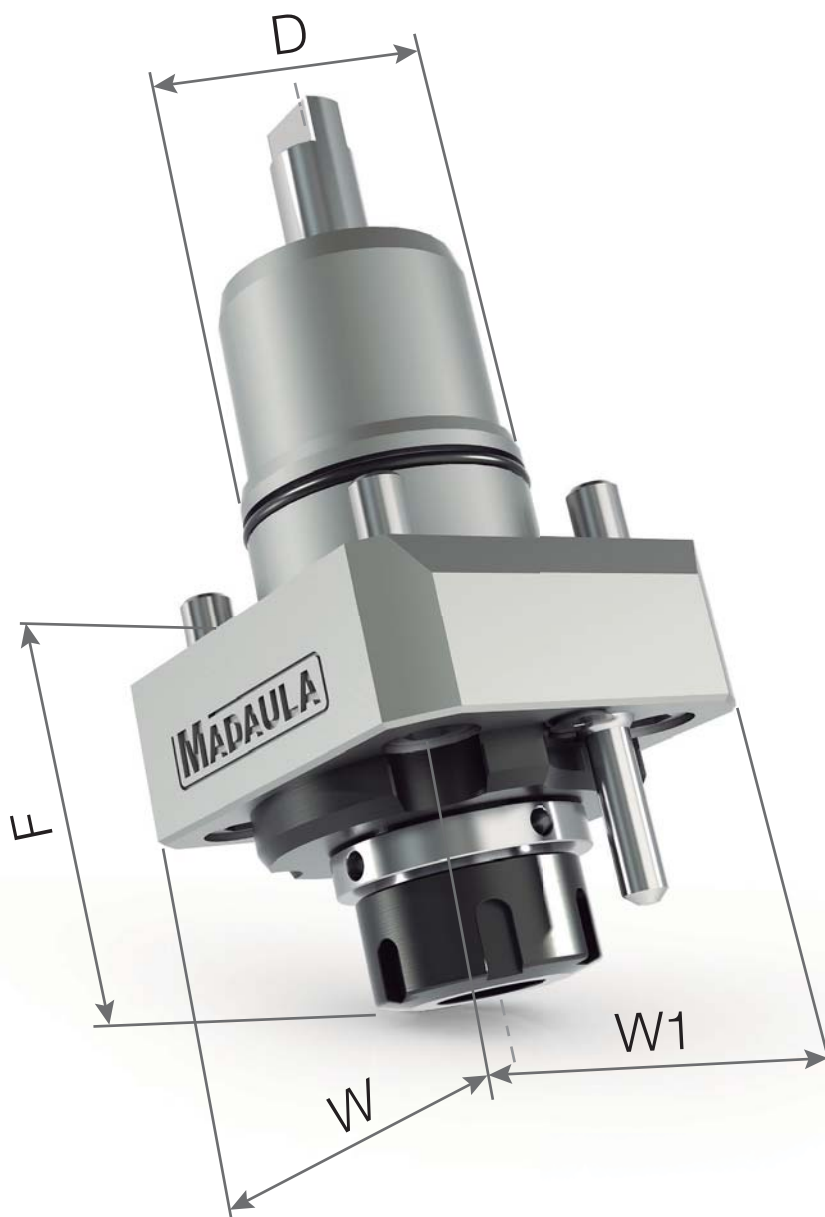
Nakamura: NTJ 200
Super NTMX
Super NTY3
WT-100
WY-100
Murata: Muratec MT100






BMT-55 Models

Nakamura: AS-200
NTM 3
NTY 3-250
SC-150M
SC-250M
Super NTJ/NTJX
TMC-20 II M/ML
TW-10
TW-20
WT-20 II M/MY
WT-150
WT-250
WTS-150
WTW-150
WY-250
CMZ: TX 52/66

BMT-65 Models

Nakamura:
WT-300
SC300
TW20
TMC-200M
TMC3000-M
SUPER NTX
TW20M, MY, MM, MMY, MMY
(12 stations)
TW30M, MY, MM, MMY, MMY
(16 stations)



Code		D mm		 RPM. Max.	 1:1	 Nm. Max.		F mm	W mm	W1 mm
BMT-44	NK.000.44	44	ER-25	6.000	1:1	40	-	69	82	62
	NK.005.44	44	ER-25	6.000	1:1	40	20bar			
BMT-55	NK.000.55	55	ER-25	6.000	1:1	50	-	71	80	86
	NK.005.55	55	ER-25	6.000	1:1	50	20bar			
BMT-65	NK.000.65	65	ER-32	6.000	1:1	70	-	75	96	96
	NK.005.65	65	ER-32	6.000	1:1	70	20bar			

* The livetools can be equipped with Weldon shaft or shell-mill shaft upon request.

BMT-44 Models

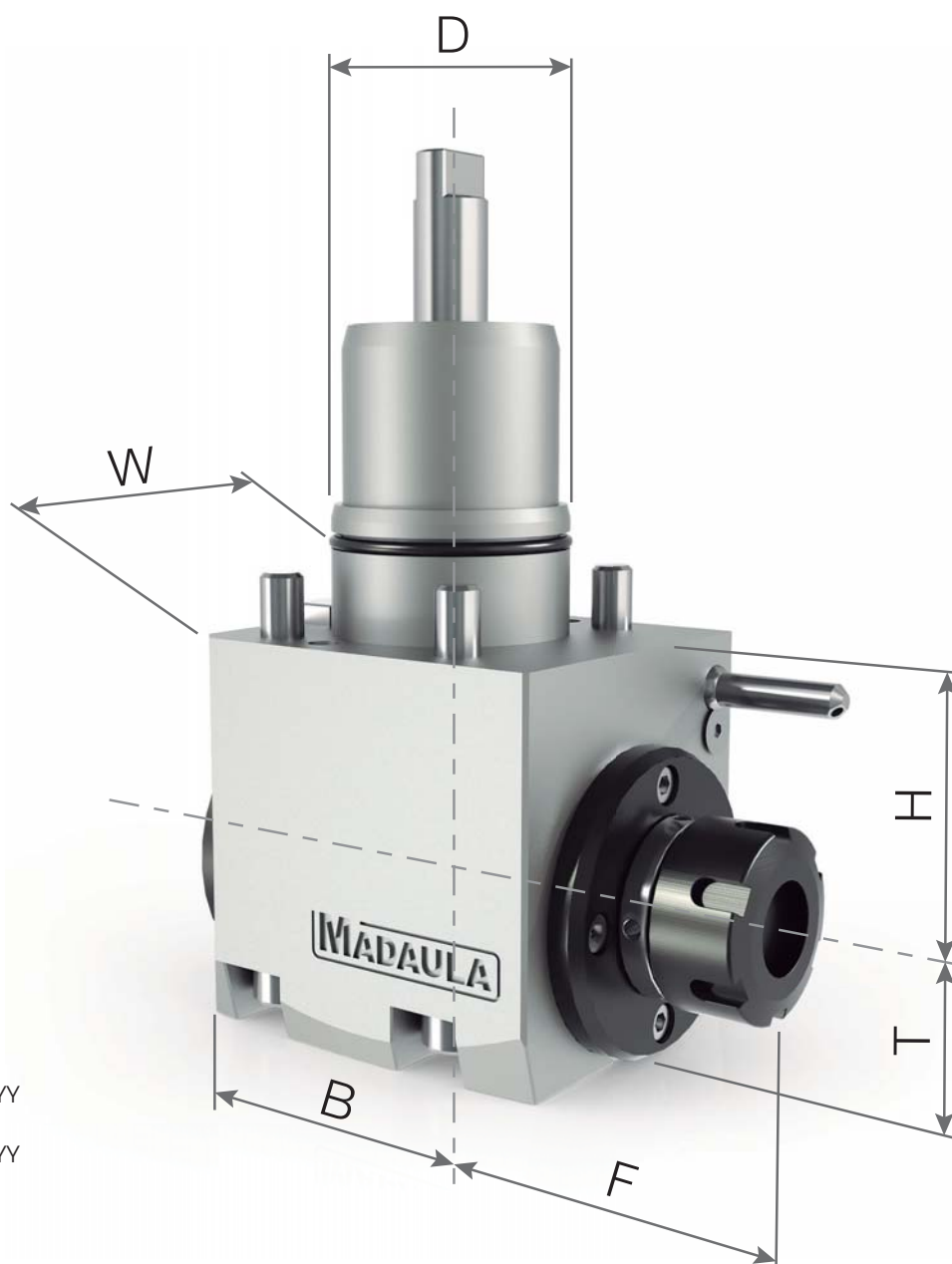
Nakamura: NTJ 200
Super NTMX
Super NTY3
WT-100
WY-100
Murata: Muratec MT100






BMT-55 Models

Nakamura: AS-200
NTM 3
NTY 3-250
SC-150M
SC-250M
Super NTJ/NTJX
TMC-20 II M/ML
TW-10
TW-20
WT-20 II M/MY
WT-150
WT-250
WTS-150
WTW-150
WY-250
CMZ: TX 52/66

BMT-65 Models

Nakamura:
WT-300
SC300
TW20
TMC-200M
TMC3000-M
SUPER NTX
TW20M, MY, MM, MMY, MMY
(12 stations)
TW30M, MY, MM, MMY, MMY
(16 stations)



Code	D mm		 RPM. Max.	 1:1	 Nm. Max.		H mm	B mm	F mm	T mm	W mm	
BMT-44	NK.010.44	44	ER-25	6.000	1:1	28	-	60	50	88	35	78
	NK.016.44	44	ER-25	6.000	1:1	28	20bar					
BMT-55	NK.010.55	55	ER-25	6.000	1:1	50	-	55	50.3	74.8	35	84
	NK.016.55	55	ER-25	6.000	1:1	50	20bar					
BMT-65	NK.010.65	65	ER-32	6.000	1:1	70	-	65	59	110	38	96
	NK.016.65	65	ER-32	6.000	1:1	70	20bar					

* The livetools can be equipped with Weldon shaft or shell-mill shaft upon request.