

# CNC facing & boring heads and attachments

---



for milling, boring, portal machines & vertical lathes



“Perfect work requires passion, precision  
and well designed and reliable tools.  
Madaula’s focus  
is to supply these tools to world-wide industry”





Boring & Facing head  
CNC Controlled

**Main features**

Coolant through the body, delivered to the tool

Sealing air blow

Custom designs under request

Manual or automatic load

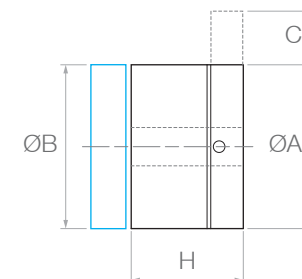
Oil-mist / grease lubrication

Mass balanced by counterweights

Siemens motor (others under request)



Product	ØA mm	ØB mm	Stroke (C) mm	Speed RPM - U/min	Precision	Weight kg	H mm	Flanged to any machine
G.074.500	500	500	175	300	H7	250	277	
G.074.630	630	500	200	250	H7	315	277	
G.074.800	800	800	280	200	H7	950	426	
G.074.1000	1.000	800	320	150	H7	1.100	426	



Other measures on request

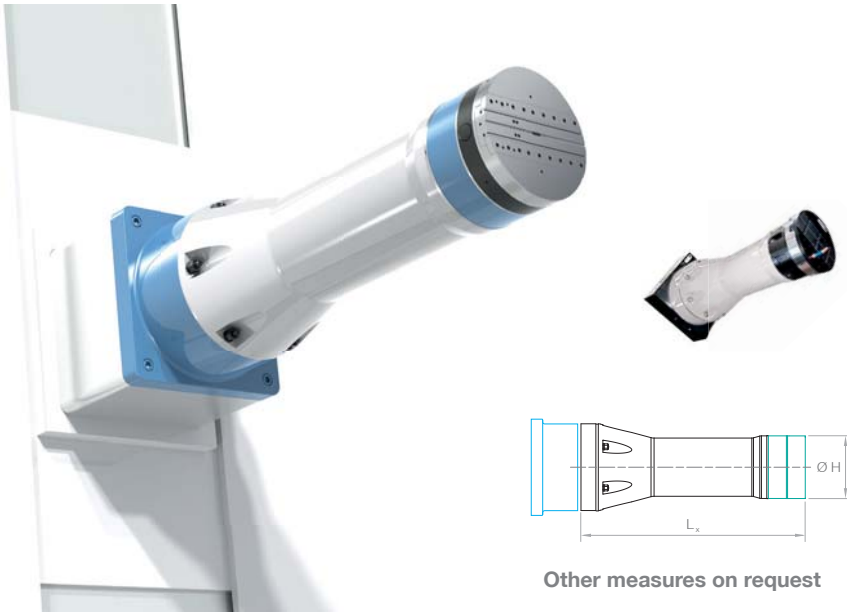
# G 075

Straight CNC facing head holder

## Main features

All cables and pipes are internal and not visible

L<sub>x</sub> Length options



Other measures on request

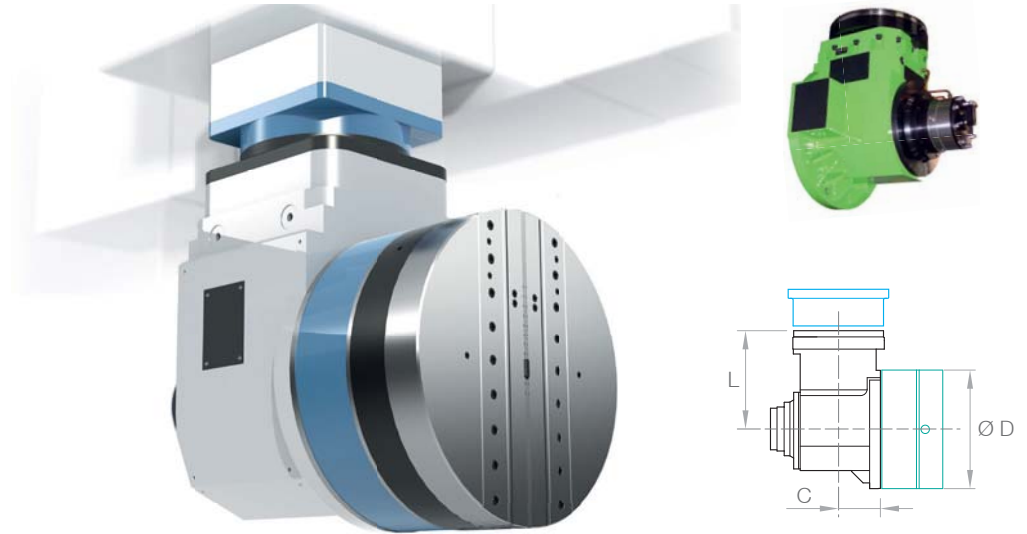
# G 180

90° Attachment for CNC facing heads

## Main features

Hydraulic brake

All cables and pipes are internal and not visible



Other measures on request

Product	Power kw	Torque Nm	Speed RPM - U/min	Ratio	Ø H mm	L <sub>1</sub> mm	L <sub>2</sub> mm	L <sub>3</sub> mm
G.075.500	30	4.000	300	1:1	500	300	400	700
G.075.630	40	5.500	250	1:1	630	300	400	700
G.075.800	50	7.000	200	1:1	800	300	400	700

Product	Ø CNC head	Power kW	Torque Nm	Speed RPM - U/min	Ratio	Weight kg	L mm	C mm
G.180.500	500	30	4.000	300	2:1	1.140	350	265
G.180.630	630	40	5.500	250	2:1	1.610	415	265
G.180.800	800	50	7.000	200	2:1	2.375	500	265
G.180.1000	800	50	7.000	160	2:1	2.550	500	265

# Wide range of solutions



Spindle speeders



Multispindle heads



High frequency spindles



Live tooling for CNC lathes



Live tooling for swiss type lathes



Angle heads